

Precision Floating Tap Holders that Floats Tap IN and *OUT*



- Corrects PARALLEL and ANGULAR MISALIGNMENT
- Will not freeze under tension caused by drag on tap

Precision Form Grind Floating Tool and Tap Holders Now Supplied by BME, Inc.

We are pleased to announce the acquisition of the former Precision Form Grind and now offer a complete line of floating tap and tool holders.



Service you can trust!



3777 Lapeer Avenue, Suite 2A
Port Huron, MI 48060

Precision Floating Tool Holder

Compensates for ANGULAR and PARALLEL MISALIGNMENT

Float is readily adjustable

Every hole - starting with the very first one you ream - will be accurate to size and perfectly round

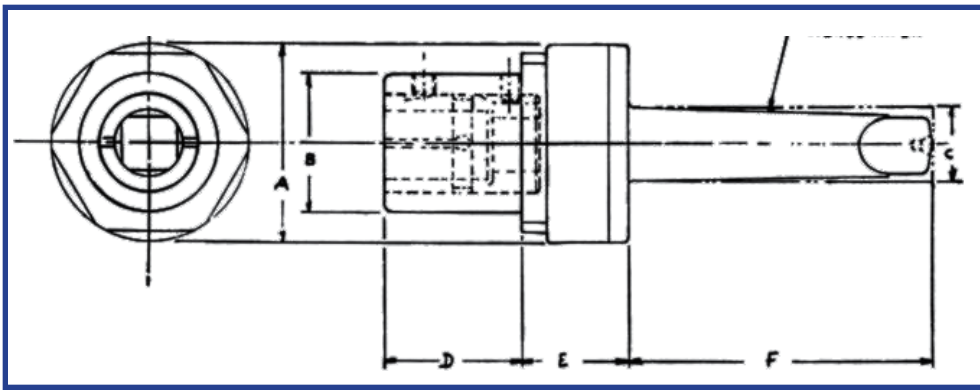


Precision Form Grind Floating Tool and Tap Holders Now Supplied by BME, Inc.



When it has to be right!

www.bmeattachments.com
3777 Lapeer Avenue, Suite 2A
Port Huron, MI 48060
Office 810.937.2974 / Fax 810.937.2975



Straight Hole Is Guaranteed No Bell Mouth Will Occur

Designed to correct parallel and angular misalignment. Construction is such that holder permits tap to float freely whether going in or OUT, and will not freeze under tension caused by drag of tap. Amount of float is infinitely

variable and is simply adjusted by lock nut. Close tolerances on tapped hole are easier to hold. There are no spring or pivot members to restrict float. Square hole in collet drive taps. Available with straight or tapered shank.

No.	A	B	C	D	E	F	Morse Taper	Tap Size
			Straight Shank			Straight Shank		
1200	2	1-1/4	1	1-5/8	1-7/16	2-1/2	1-2-3	3/16-1/2
1250	2-1/2	1-3/4	1 1-1/4-1-1/2	1-5/8	1-7/16	3 4	2-3-4	1/2, 1-1/4
1300	3	2-1/4	1-1/2 1-3/4	2-1/8	1-11/16	4 5	3-4	1-1/4, 1-3/4

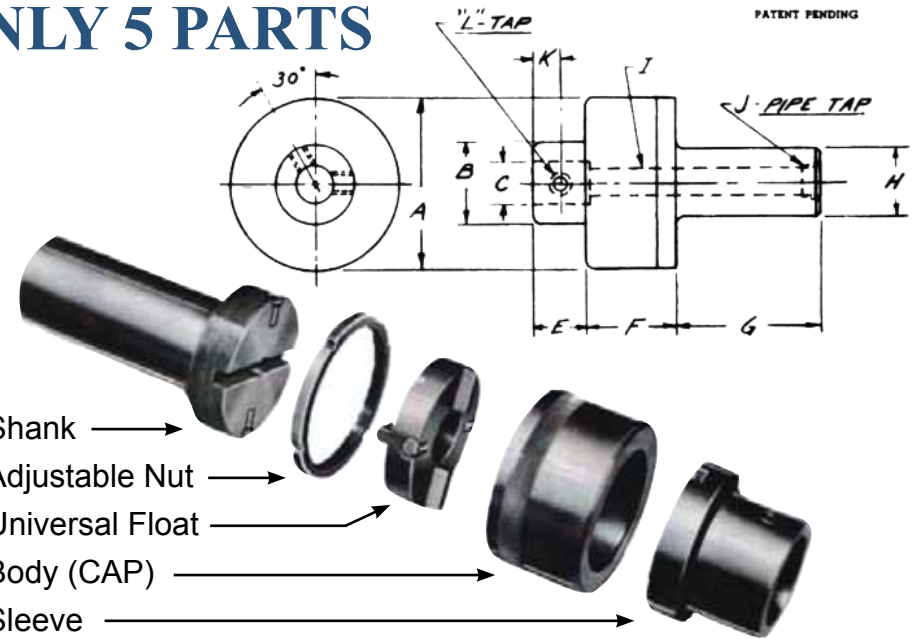
Made in Three Sizes:

2" BODY - for standard taps 3/16" to 1/2" inclusive, for standard pipe tap 1/8".**
 2-1/2" BODY - for standard taps 1/2" to 1-1/4" inclusive, for standard pipe tap 1/4" to 5/8" inclusive.
 3" BODY - for standard taps 1-1/4" to 1-3/4" inclusive, for standard pipe tap 3/4" to 1-1/4" inclusive.
 Morse, Brown & Sharpe and Jarno tapers also available at extra cost.
 ** 1/8" PIPE TAP made with two different shank diameters and square dimensions. When ordering, please specify shank diameter and square dimensions.

How to Order:

1. State size of tap to be used; 2. Size of holder shank; and 3. Straight or Tapered
 Note: Each collet holds one size standard tap. Tap held on shank, driven by square.

ONLY 5 PARTS



No.	A	B	ST'D Sizes C	E	F	G**	ST'D Sizes H**	I	J	K	L
*158	1 5/8	55/64	1/2	21/32	1 5/15	1 3/8	5/8	1/4	-	3/8	10-24
200	2	1-3/8	5/8, 3/4, 1	1-5/32	1-3/16	2-1/8 2-1/2	3/4 1	1/4	-	1/2	1/4-28
250	2 15/32	1 35/64	3/4, 5/8	1 3/16	2 1/16	4	1.1 1/2 1 1/4	7/16	1/4	5/8	3/8-24
300	2 31/32	1 63/64	1.1 1/4 1 1/2	1 1/8	2 1/8	5	1 1/2, 1 3/4 2, 2 1/4	7/16	1/4	5/8	3/8-24
*425	4 1/4	2 63/64	**	2 31/32	2 5/32	5	2 1/4, 2 3/4 3	7/16	1/4	1/2	3/8-16

Morse, Brown & Sharpe, Jarno tapered shanks are available at extra cost.

"1" and "J" oil hole option at extra cost.

* OBSOLETE SIZES can be produced call for a quote.

** C,G,H sizes to your requirements at extra cost.

Here is indeed an outstanding floating tool holder! Its simplicity of design (a coordination of only five parts) speaks its high efficiency.

It will compensate for both angular and parallel misalignment, permits the float to be adjusted in all directions. The moving parts ride on rollers and thus contribute immeasurably to making the members antifriction-producing smoother running with more perfect alignment.

Composed of only 5 parts, the Precision Floating Tool Holder requires a minimum of maintenance-nothing to get out of order. Nor is there anything to fall out or get lost when holder is taken apart. It will enable you to ream holes with close tolerances with the very first hole reamed to size.

You will definitely have no more bell-mouthed holes if you use the Precision Floating Tool Holder.